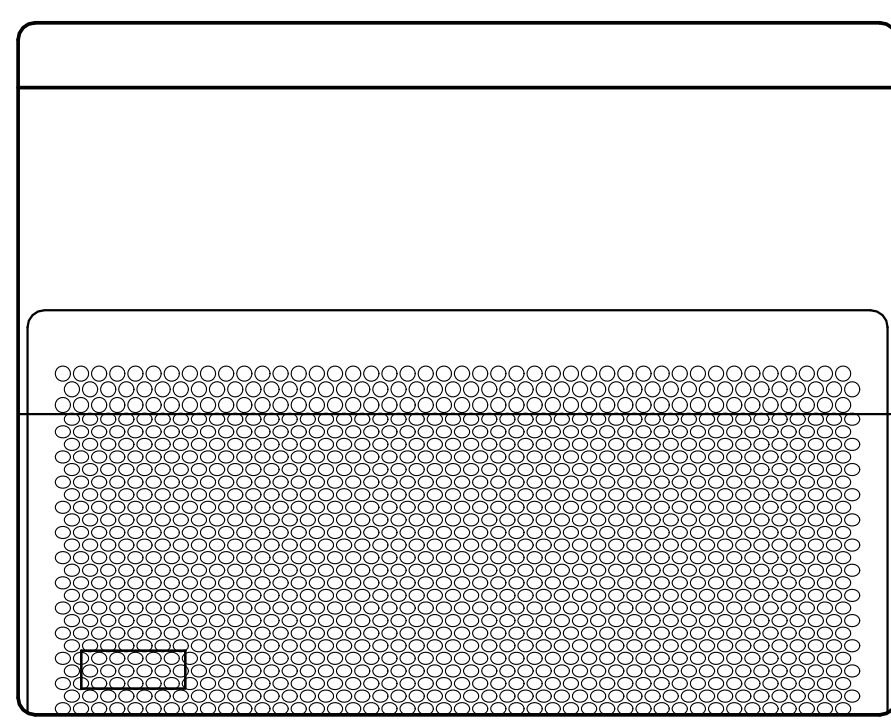
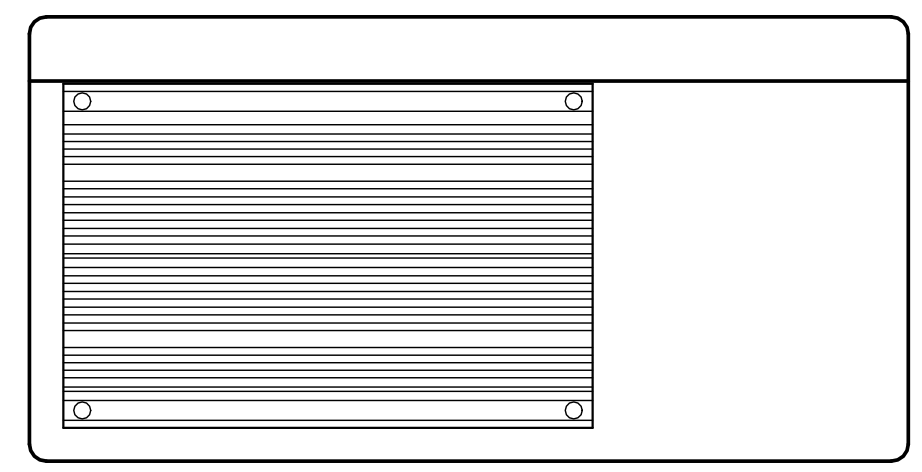


1 2 3 4 5 6 7 8

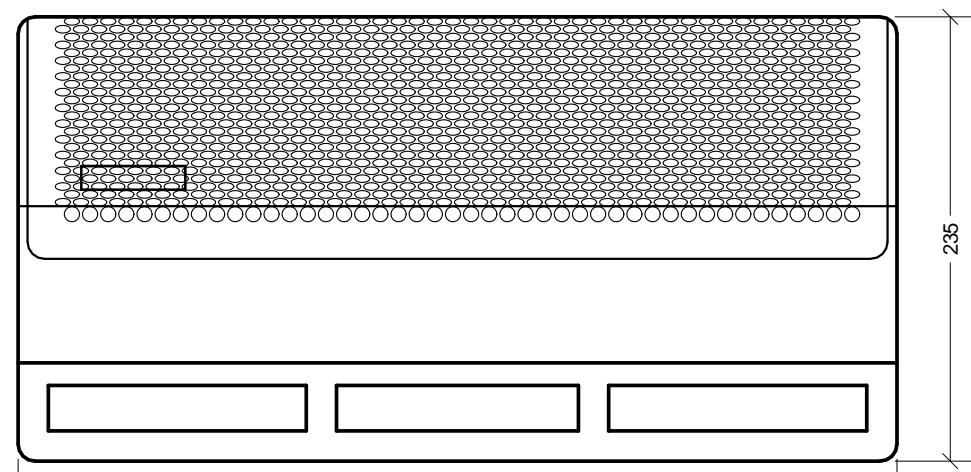
A
B
C
D
E
F



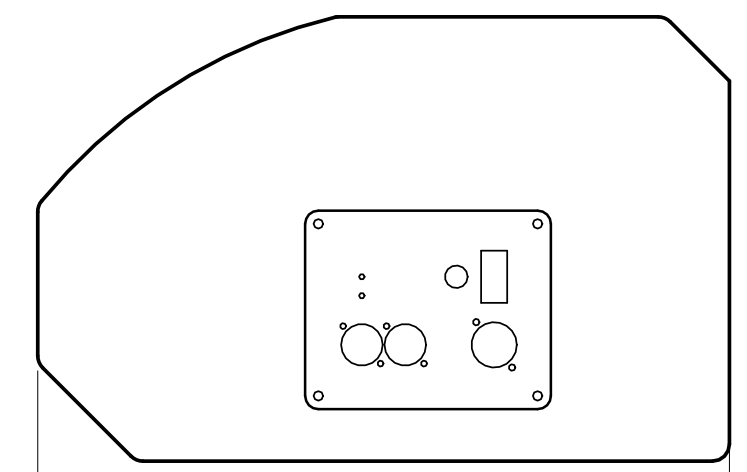
PLAN



REAR ELEVATION



ELEVATION



SIDE ELEVATION

465

235

366

1 2 3 4 5 6 7 8

A 17.01.2012 Original Issue	acoustic technologies				
	Drawn R. Faint	Checked	Approved	Revision A	Scale 1:4
	SFM09A			Sheet 1 of 1	
GENERAL ARRANGEMENT				AT-A3-510	

